

# AMZ 60

Electrochemical cell for flat samples



## Specifications

Measuring area : 6 cm<sup>2</sup>  
Minimum width of sample : 5 cm  
Maximum width of sample : 10 cm

## Electrodes

Counter electrode : stainless steel rod  
Reference electrode : Ag/AgCl  
Working electrode : specimen

## Handling of the cell

- Remove the white (counter & reference) electrode holder
- Loosen the 4 screws on the top of the cell
- Place the specimen between the red silicon sealing mat and the PVC-bottom-plate of the cell
- Adjust the transparent plexiglass cylinder and close the 4 screws carefully and not too strong
- Fill an electrolyte (not included) into the cylinder.

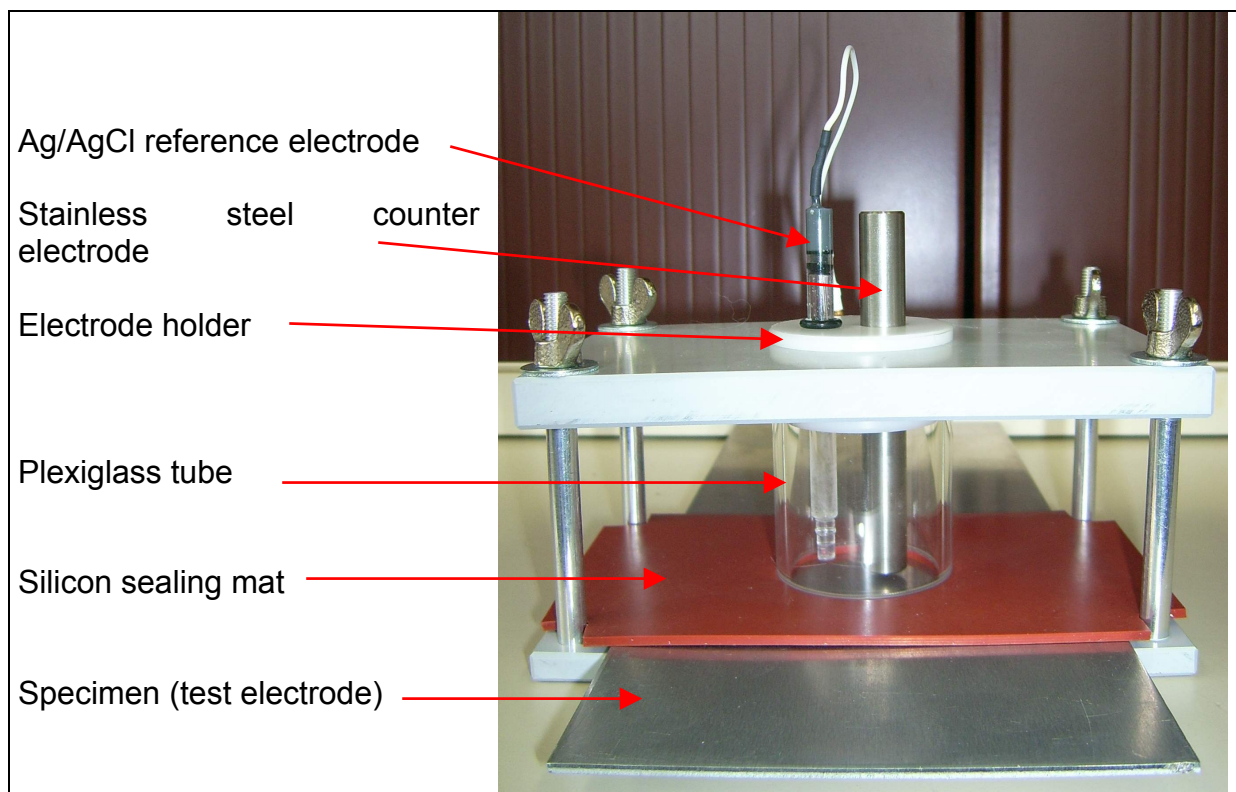
**CAUTION: DO NOT FILL ANY FLUID WHICH MAY DAMAGE PLEXIGLASS.**

- Put in the white electrode holder on the top of the cell
- Insert the reference electrode, if required.

**DON'T FORGET TO REMOVE THE YELLOW PLASTIC COATING AT THE BOTTOM OF THE REFERENCE ELECTRODE** (see below : Handling of the reference electrode).

- Connect the metal of the specimen to the test electrode input of the IM6/6eX
- Connect the steel rod to the counter electrode input of the IM6/6eX
- Connect the Ag/AgCl reference electrode to the reference electrode input of the IM6/6eX

A properly assembled cell may look like the photograph shown below.

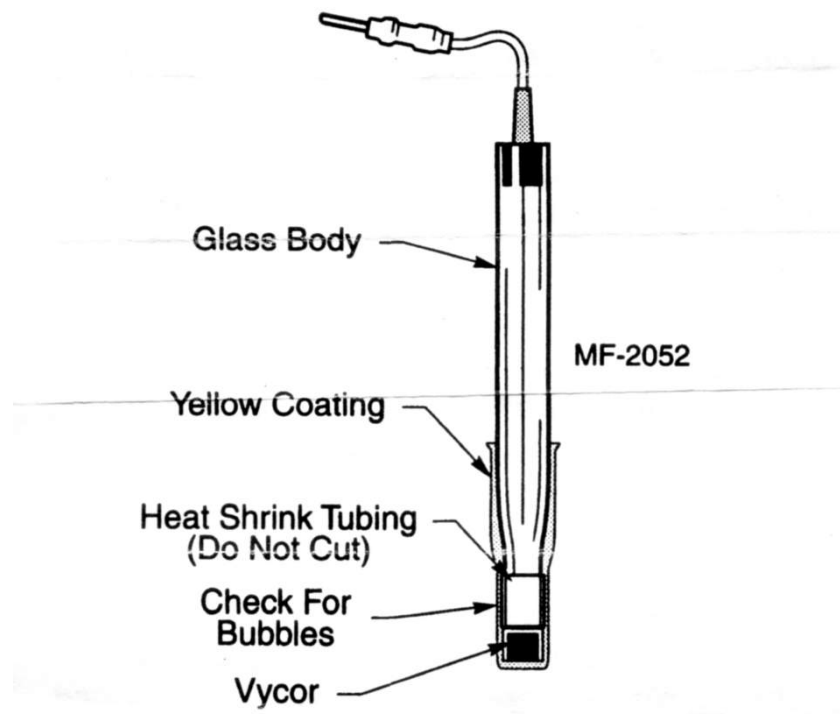


## Handling of the Ag/AgCl reference electrode

Upon receipt, carefully remove yellow plastic coating and store in 3M NaCl. To remove the yellow plastic coating, roll down top edge of plastic coating, then cut with small scissors. Keep rolling and cutting until yellow coating is removed.

### CAUTIONS

- Do not cut too deeply with the scissors or else the Teflon heat shrink tubing may be damaged.
- Do not tug the yellow coating off the glass body or the Vycor frit may be pulled off the end of the electrode.
- **Use of a reference electrode with bubbles lodged in the tip may prevent electrical contact with the sample solution and cause damage to the working electrode.** Bubbles can be dislodged by holding the top of the electrode by one hand and tapping the electrode near the Vycor tip with the other hand until the bubbles rise to the top.



The MF-2052 RE-5B replaces the MF-2063 RE-5