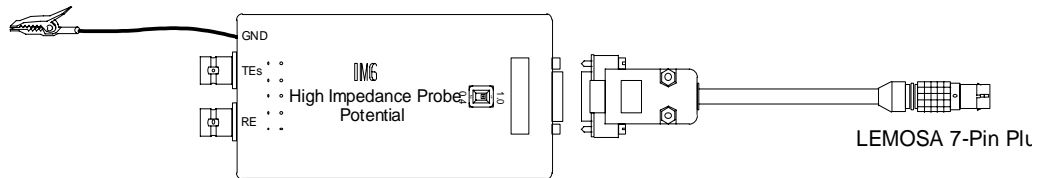
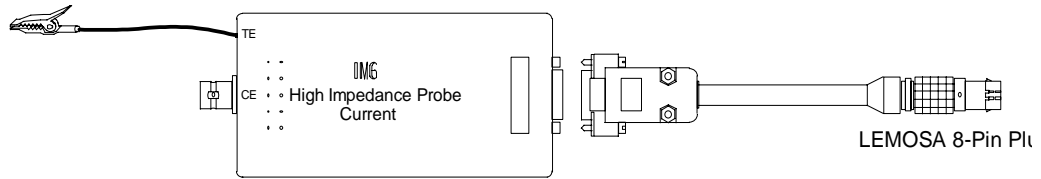


HIZ

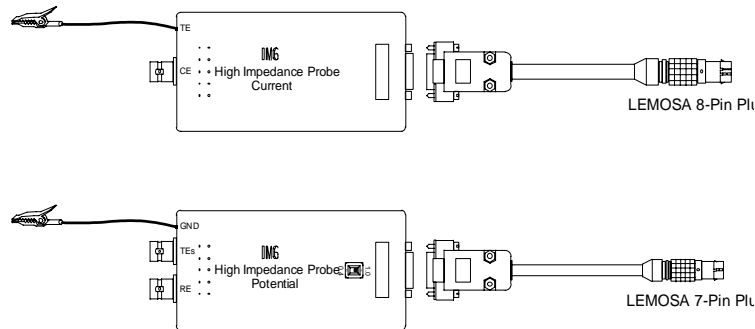
High Impedance Probe Set



General

The HIZ-Probe set consists of two probes:

'High Impedance Probe Current' and 'High Impedance Probe Potential'



These probes extend the dynamic range of the IM6 impedance measurement systems down to a current sensitivity in the fA-range and will offer an input impedance in the TOhm-Range. The HIZ probes will be operated in parallel with the IM6 and thus offer a dynamic range of 12 decades in current sensitivity.

NOTE: The HIZ-probe set has been optimized to measure objects of high impedances. The best accuracy for objects of lower and low impedances will be obtained by use of the IM6 main potentiostat without HiZ probe.

The probes' connectors have been named in the same way as the front connectors of the IM6/IM6eX:

CE	counter electrode
RE	reference electrode
TE	test electrode power
TEs	test electrode sense

To reduce stray capacitances the shields of the BNC-plugs are “actively driven”. To avoid damages of the electronics do not connect any shield to ground or to the cell and do not connect any pair of shields.

Installation of HIZ probe set

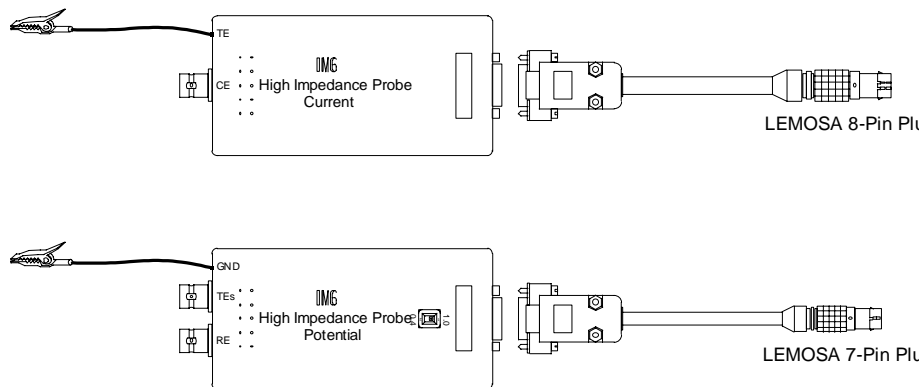
1. Installation of calibration data

Copy the folder "thales" from the floppy disk "HiZ calibration data" to c:\ of your PC hard drive.

2. Installation of HIZ probes

Use the cable with the 7-pin LEMOSA plug to connect the 'HIZ Probe Potential' to the Probe-E terminal of the IM6.

Use the cable with the 8-pin LEMOSA plug to connect the 'HIZ Probe Current' to the Probe-I terminal of the IM6.

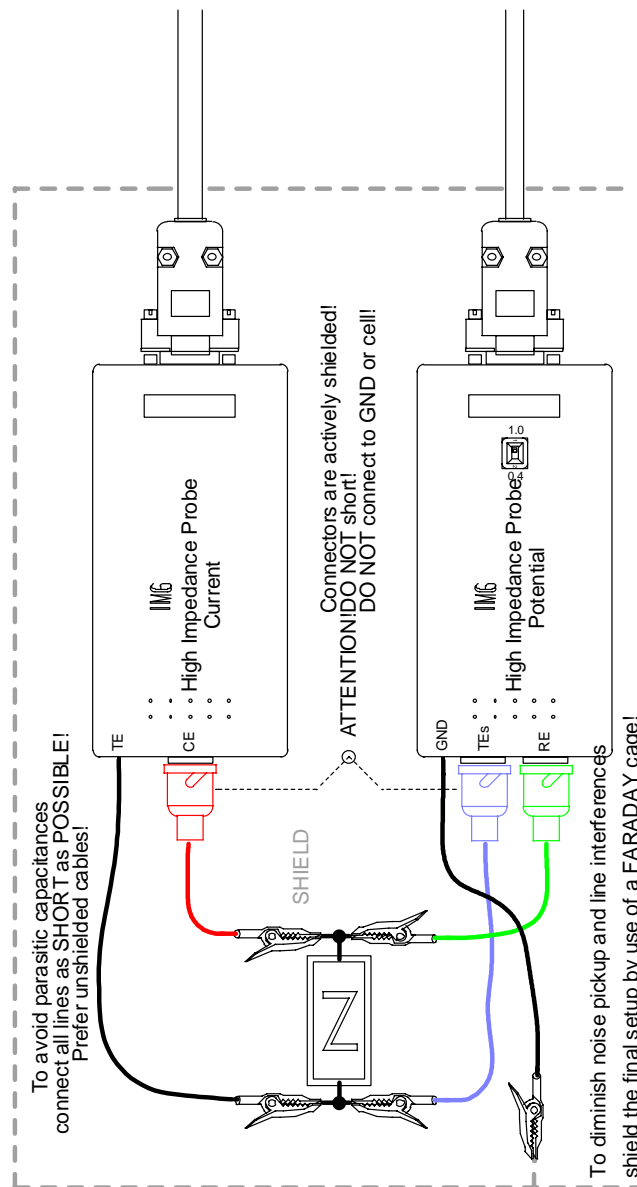


Make sure that all cables have been connected and locked properly.

3. Using the HIZ probe set

To select measurements with the HIZ-probe set activate menu 'check cell connections' of the impedance program EIS. Choose scheme 6 <four electrodes with buffer> and put in RE-potential and gain factor.

Best connection to use HIZ probes



2nd choice connection to use HIZ probes

